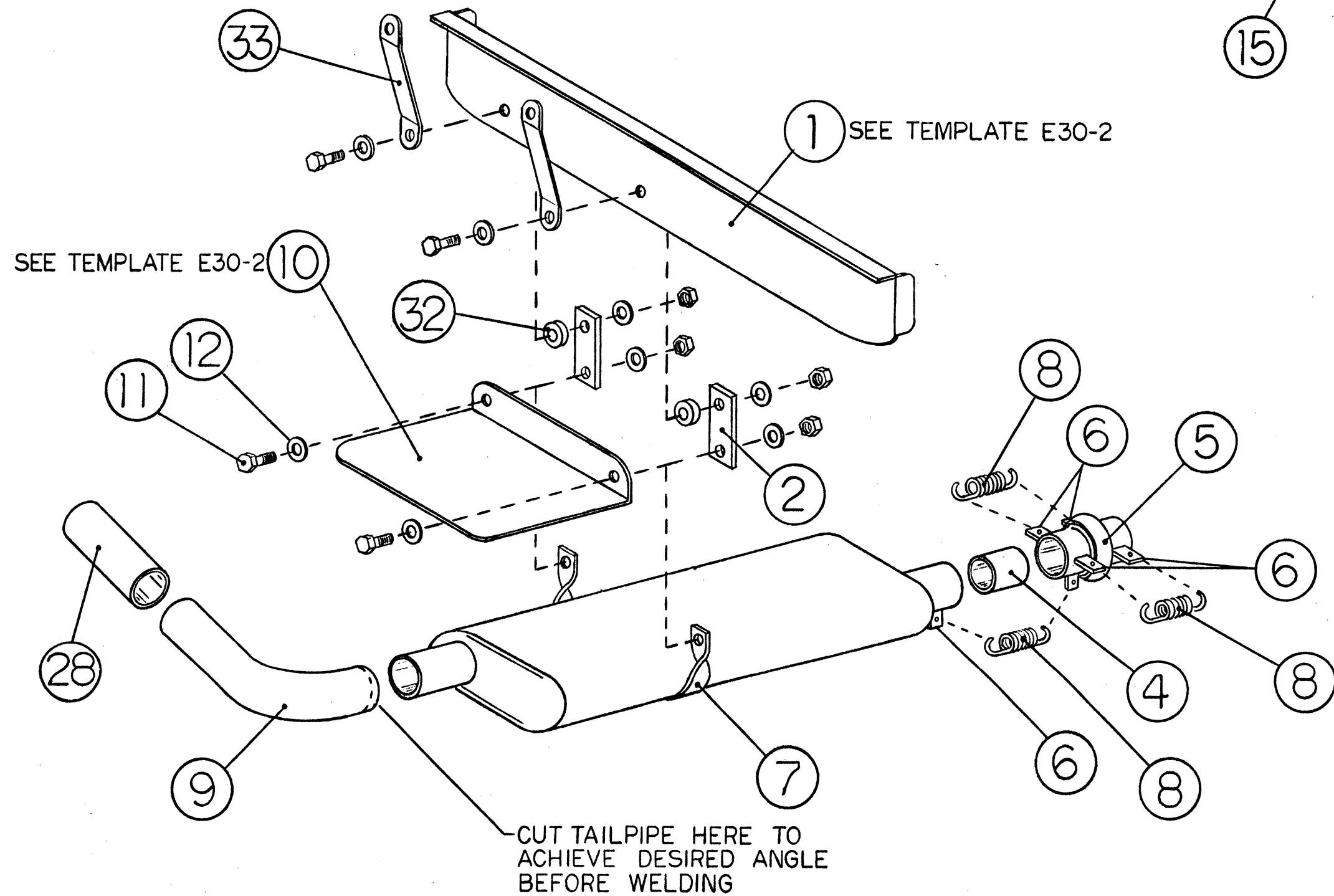
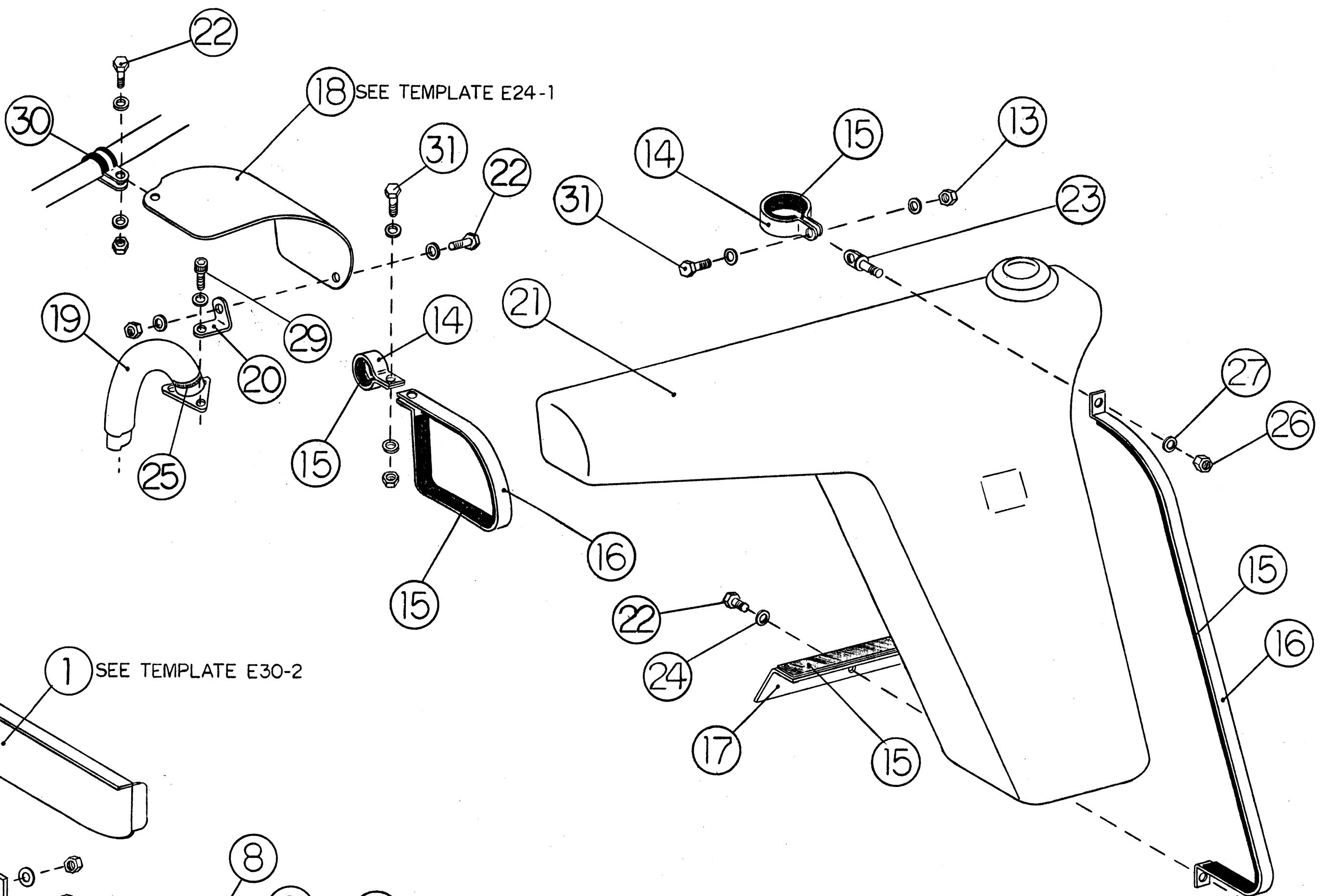


REF. NO.	PART NO.	PART NAME	QTY.
1.	E30-3161	RADIATOR REAR SHIELD.....	1
2.	E24-3100	MUFFLER MOUNT RUBBER (1 MAKES 2)...	2
3.	E24-9801	MUFFLER.....	1
4.	E24-3130	EXHAUST REDUCER.....	1
5.	E24-9704	EXHAUST KNUCKLE.....	1
6.	E24-3150	TABS (MAKE FROM MUFFLER STRAP).....	6
7.	E24-3150	MUFFLER STRAP .090 X 3/4.....	1
8.	E24-1250	SPRING.....	3
9.	E24-3140	TAILPIPE-90 DEGREE BEND.....	1
10.	E24-3201	MUFFLER HEAT SHIELD.....	1
11.	E00-2304	BOLT 3/16 X 7/8.....	4
12.	E00-4302	3/16 FENDER WASHER.....	8
13.	E00-3301	3/16 FIBERLOCK NUT.....	14
14.	E25-3110	CLAMP (MAKE FROM .063 STRAP).....	4
15.	E25-1400	RUBBER STRAP (4' LENGTHS SUPPLIED).....	4
16.	E25-3100	FUEL TANK STRAP .063 X 3/4.....	4
17.	E12-3611	FUEL TANK BRACKET (ON AIRFRAME).....	2
18.	E24-9831	HEAT SHIELD (MAKE FROM E24-9780).....	2
19.	E24-9810	EXHAUST HEADER WELDMENT.....	1
20.	E24-9881	HEAT SHIELD BRACKET.....	2
21.	E25-6110	FUEL TANK.....	2
22.	E00-2300	BOLT 3/16 X 1/2.....	6
23.	E00-2420	EYE BOLT 1/4 X 1-1/8.....	2
24.	E00-4301	3/16 WASHER.....	20
25.	E00-9100	TIE WRAP (20' LENGTH SUPPLIED).....	8
26.	E00-3402	1/4 FIBERLOCK NUT.....	2
27.	E00-4401	1/4 WASHER.....	2
28.	E24-9717	EXHAUST TUBE 6".....	1
29.	E00-2504	BOLT 5/16 X 3/4 SOCKET HEAD.....	12
30.	E00-9114	7/8 CUSHION LOOP CLAMP.....	2
31.	E00-2301	BOLT 3/16 X 5/8.....	4
32.	E30-6120	ALUMINUM SPACER.....	2
33.	E30-3171	SHIELD MOUNT STRAP (1 MAKES 2).....	2



TYPICAL FUEL TANK AND HEAT SHIELD INSTALLATION PASSENGER SIDE SHOWN

ROTORWAY INTERNATIONAL PHOENIX, ARIZONA		
SCALE: NONE	APPROVED BY: <i>D. Koop</i>	DRAWN BY WAR
DATE: 2-1-91		REVISED 5-2-94
<b>FUEL TANK AND MUFFLER MOUNTING</b>		
DRAWING NUMBER		E25-2000-5

- 5-2-94 REVISION 5: NEW REAR SHIELD (1)
- 10-21-93 REVISION 4: ADD KNUCKLE TABS (6), SPRINGS (8)
- 4-21-93 REVISION 3: NEW STYLE BRACKET (20)
- 8-26-91 REVISION 2: NEW STYLE BRACKET (17)
- 6-28-91 REVISION 1: ADD E24-9717 EXHAUST TUBE (28)